

## ***GREEN TECHNOLOGY BASED ECO-FRIENDLY WIND POWER GENERATOR***

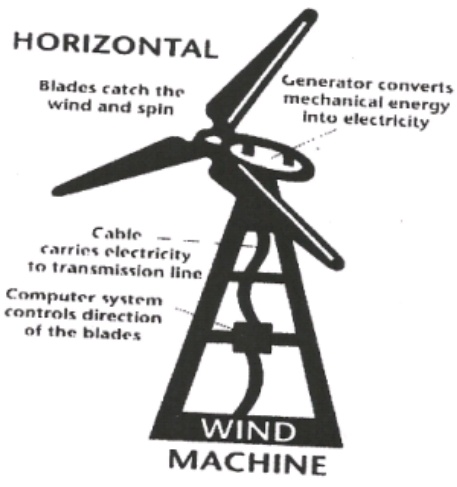
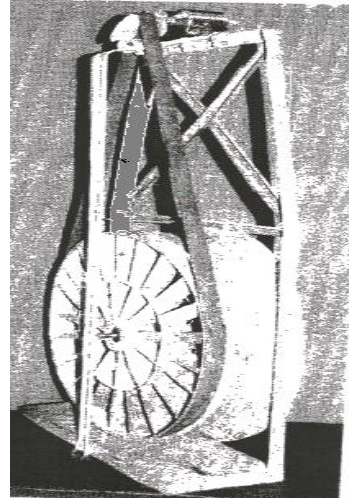
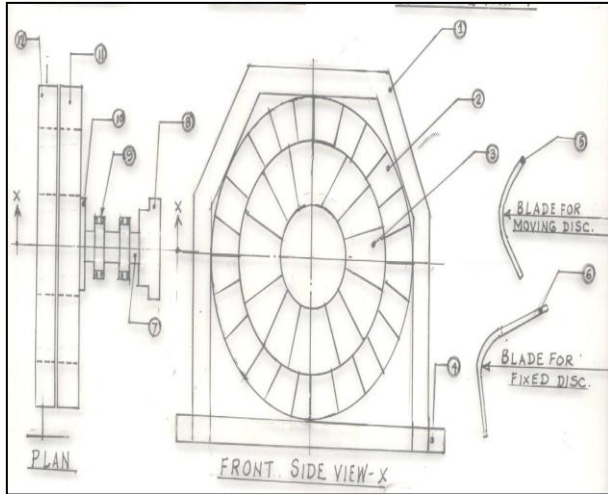
The invention is about a Wind Power Generator. There are very limited number of green technology those can generate a huge amount of electrical energy by converting the natural wind energy. This technology has some specific feature such as the fixed disc that can promote efficiently and start working at a very low wind speed. There is a windmill that can achieve high torque and can also comply with wind power conditions of an installed place fixed disc attached in front of a rotating disc; the rotating disc is attached to a shaft to rotate the dynamo. The windmill comprising of a frame to hold the windmill assembly, a base frame, a main shaft, a rotor and a plurality of wind-receiving rotating blades, a coupling to hold the disc, a flange to join the rotating disc and the shaft, ball bearing, dynamo.

### ***Potential Area for Application:***

Can be used to Convert Wind Energy (Kinetic Energy) to Electrical Energy

### ***Advantages:***

1. This is much more efficient than the conventional technology to produce electrical energy from natural wind energy.
2. The wind mill needs minimum of air flow 5.6 m/s.
3. Accept 95% of the Wind Energy to completely convert it to the Electrical Energy.
4. Very less expensive to set up the equipments than others available technology in the market.
5. It's totally pollution free green technology.



**Power Converter**